

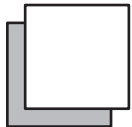
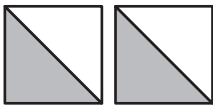


Half-Square Triangle Cheat Sheet for Quilt Patterns

Find the size of triangle paper you need for any quilt pattern!

The cut sizes below refer to half-square triangles made with the traditional method, where two fabric squares produce two half-square triangle units.

If your quilt pattern does not specify the finished size of the half-square triangle units needed, refer to the Cut Size to see what size of Triangle Paper you will need.

The triangle papers listed refer to the Triangles on a Roll by It's Sew Emma®.

Cut Size 	Unfinished Size 	Finished Size 	Triangle Paper Needed 
1 $\frac{7}{8}$ "	1 $\frac{1}{2}$ "	1"	H100 - 1" Finished Triangle Paper
2 $\frac{1}{8}$ "	1 $\frac{3}{4}$ "	1 $\frac{1}{4}$ "	H125 - 1 $\frac{1}{4}$ " Finished Triangle Paper
2 $\frac{3}{8}$ "	2"	1 $\frac{1}{2}$ "	H150 - 1 $\frac{1}{2}$ " Finished Triangle Paper
2 $\frac{7}{8}$ "	2 $\frac{1}{2}$ "	2"	H200 - 2" Finished Triangle Paper
3 $\frac{3}{8}$ "	3"	2 $\frac{1}{2}$ "	H250 - 2 $\frac{1}{2}$ " Finished Triangle Paper
3 $\frac{7}{8}$ "	3 $\frac{1}{2}$ "	3"	H300 - 3" Finished Triangle Paper
4 $\frac{3}{8}$ "	4"	3 $\frac{1}{2}$ "	H350 - 3 $\frac{1}{2}$ " Finished Triangle Paper
4 $\frac{7}{8}$ "	4 $\frac{1}{2}$ "	4"	H400 - 4" Finished Triangle Paper
5 $\frac{3}{8}$ "	5"	4 $\frac{1}{2}$ "	H450 - 4 $\frac{1}{2}$ " Finished Triangle Paper
5 $\frac{7}{8}$ "	5 $\frac{1}{2}$ "	5"	H500 - 5" Finished Triangle Paper
6 $\frac{7}{8}$ "	6 $\frac{1}{2}$ "	6"	H600 - 6" Finished Triangle Paper

Half-Square Triangle Finished Size = Cut Size - $\frac{7}{8}$ "

The Finished Size is the size of triangle paper you will need for your quilt pattern.

