

# BIG A - LITTLE A QUILT PATTERN

[www.FatQuarterShop.com](http://www.FatQuarterShop.com)

Check out our  
YouTube tutorial



Finished size: 34 1/2" x 44 1/2"

Features Dr. Seuss's ABCs by Robert Kaufman Fabrics.



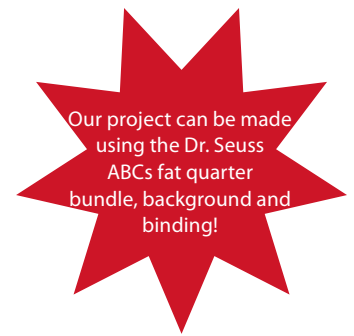
**Free quilt pattern by It's Sew Emma**

Copyright 2014 Fat Quarter Shop, LLC. All rights reserved. Duplication of any kind is prohibited.

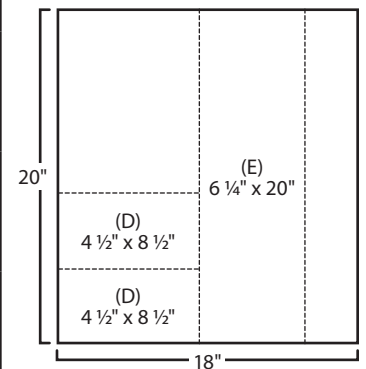
This pattern may be used for personal purposes only and may not be reproduced without the express written permission from the Fat Quarter Shop. This pattern may not be used for commercial purposes.

# BIG A - LITTLE A QUILT PATTERN

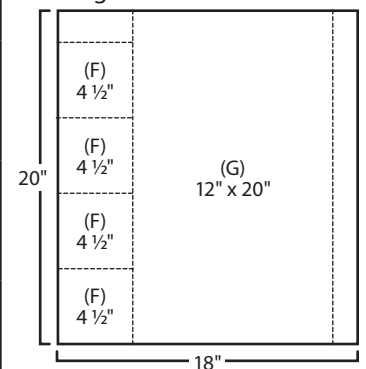
Fabric Image	SKU	Yardage	Quantity & Size
	14694-267	One Panel	A 1 - 22 1/2" x 40 1/2" rectangle
	K001-1387	1/2 yard	B 2 - 2 1/2" x 40 1/2" strips C 2 - 2 1/2" x 26 1/2" strips
	14693-63	Fat Quarter	D 2 - 4 1/2" x 8 1/2" rectangles * E 1 - 6 1/4" x 20" rectangle *
	14693-267	Fat Quarter	D 2 - 4 1/2" x 8 1/2" rectangles * E 1 - 6 1/4" x 20" rectangle *
	12778-99	Fat Quarter	F 4 - 4 1/2" squares ** G 1 - 12" x 20" rectangle **
	10792-267	Fat Quarter	F 4 - 4 1/2" squares ** G 1 - 12" x 20" rectangle **
	12778-47	Fat Quarter	F 4 - 4 1/2" squares ** G 1 - 12" x 20" rectangle **
	14691-267	Fat Quarter	F 4 - 4 1/2" squares ** G 1 - 12" x 20" rectangle **
	12778-130	Fat Quarter	F 4 - 4 1/2" squares ** G 1 - 12" x 20" rectangle **
	14692-267	Fat Quarter	F 4 - 4 1/2" squares ** G 1 - 12" x 20" rectangle **
	12778-246	Fat Quarter	F 4 - 4 1/2" squares ** G 1 - 12" x 20" rectangle **
	12778-99	1/2 yard	H 5 - 2 1/2" width of fabric strips (binding)



\* Fat Quarter cutting diagram for Fabrics D & E.



\*\* Fat Quarter cutting diagram for Fabrics F & G.



# BIG A - LITTLE A QUILT PATTERN

Use 1/4" seams and press as arrows indicate throughout.

## Quilt Top:

Attach side inner borders using the Fabric B strips.

Attach top and bottom inner borders using the Fabric C strips.



Assemble Side Outer Border as shown.

Pay close attention to fabric placement.

Side Outer Border Row should measure 4 1/2" x 44 1/2".

Make two.



Make one.



Make one.

# BIG A - LITTLE A QUILT PATTERN

Attach the side outer borders using the Side Outer Border Rows.

Quilt Top should measure 34 1/2" x 44 1/2".

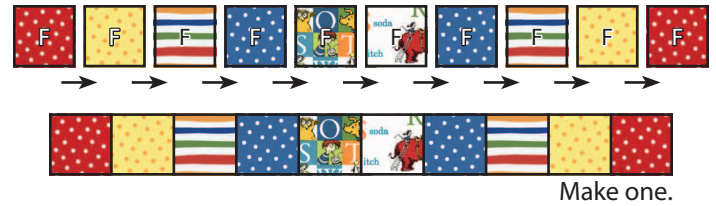


Assemble Middle Backing Unit as shown.

You will not use all the Fabric F squares.

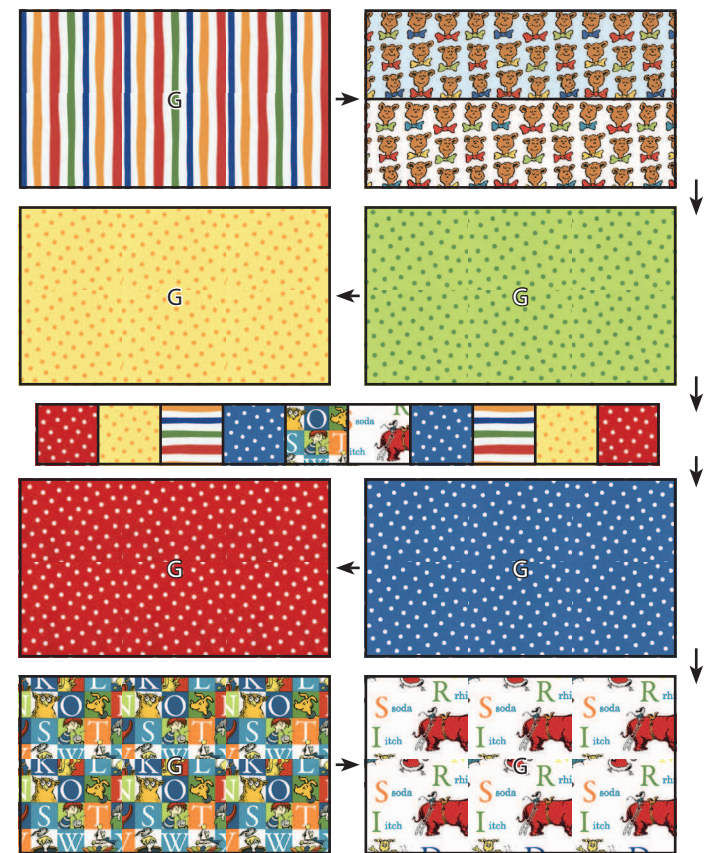
Middle Backing Unit should measure 4 1/2" x 40 1/2".

Make one.



Assemble Quilt Back as shown.

Quilt Back should measure approximately 39 1/2" x 50 1/2".

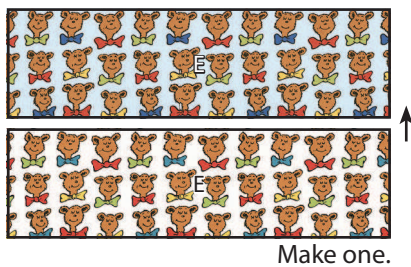


## Quilt Back:

Assemble two different Fabric E rectangles.

Fabric E Unit should measure 12" x 20".

Make one.



## Finishing:

Sew the Fabric H strips end to end for binding.

Quilt and bind as desired.